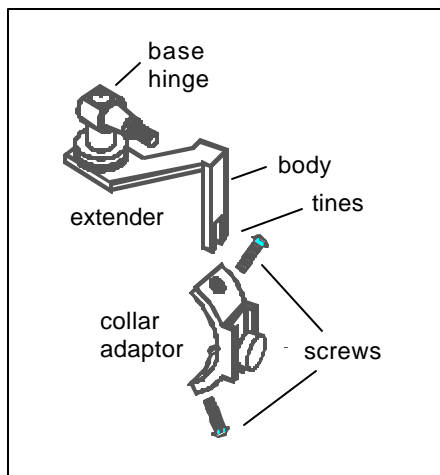


Bonanza Mount for Garmin

196, 295, 296, 396

The Bonanza Mount for the Garmin 196* utilizes Autel's well known Bonanza center-shaft mounting system to provide a vertical and horizontal angle adjustable arm with four holes that mate with the Garmin cradle. It does not mount the 196* on your yoke, but rather holds it up to the immediate right of the yoke, which has the added benefit of permitting rotation toward a pilot in the copilot seat. The Bonanza mount's C-shaped collar adaptor attaches on the right side of the split collar located at the back end of all center shafts used on Bonanzas and Barons, whether throwover or dual-yoke type. All that is required is to remove two right-side screws of the four screws holding the two split-collar members (one from each), place the QCB in position over the collar, and screw in the two new, longer 10-32 screws supplied.

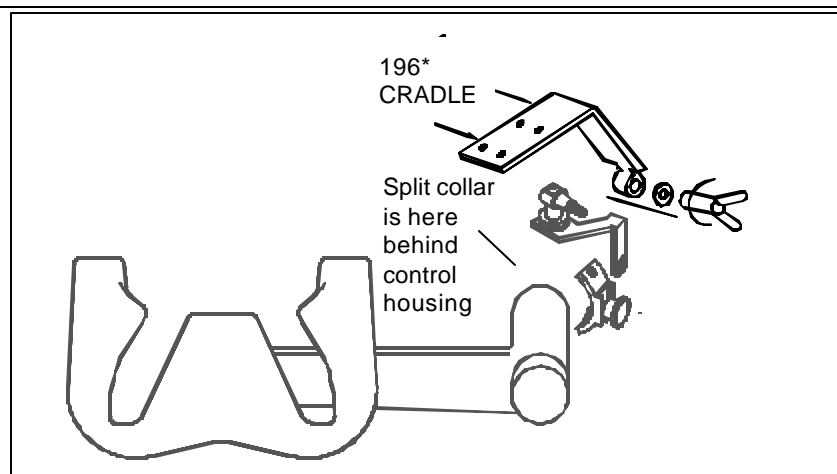


MOUNTING THE BASE

The Bonanza Mount consists of a lower member, the **collar adaptor**, and an upper member, the **extender**, which is comprised of the **body** and the **hinge base** as shown at left. Remove the two right side screws and their spring washers holding the two split collar members where the center column (glossy two-inch diameter cylinder) and control housing meet (see following illustration). **DO NOT REMOVE THE COLLARS** - they will remain in place held by the left side screws.

Place collar adaptor onto the right side of the collars, oriented with its small lip toward the panel. Drop spring washer into upper adaptor hole. With holes aligned, place one new, longer screw (supplied in bag) into upper adaptor hole and start screw in threads. Then place spring washer on second new screw, and insert into lower hole and screw tight. Tighten top screw. Slide body tines into mating slot on collar adaptor until underpad bears against top of control arm housing, and tighten knob, securing base members together (finger pressure is more than adequate to securely tighten this knob -- do not overtighten as aluminum threads in adaptor can be stripped by excessive torque).

* or Garmin 295, 296, 396

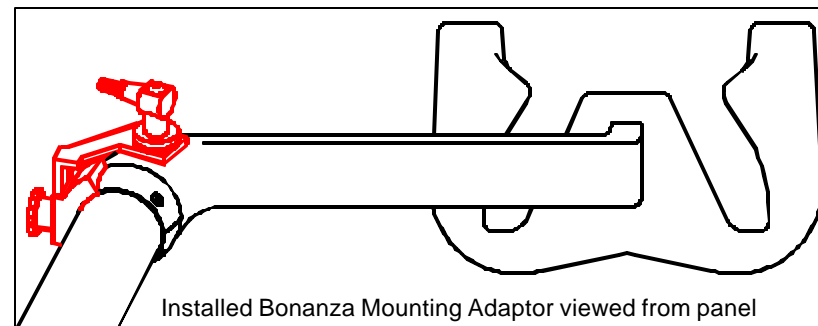


MOUNTING THE GARMIN 196* GPS TO THE BONANZA MOUNT ARM

Before mounting the arm onto the base, attach the cradle of your Garmin 196* GPS to the Bonanza Mount arm as shown in illustration above, using the four slightly longer screws, with nuts and washers supplied with Bonanza Mount.

MOUNTING THE BONANZA MOUNT ARM ONTO THE BASE

The arm is mounted on the base in seconds. First remove the plastic wing nut and low friction washer. The speediest way to do this is to spin the barrel between index finger and thumb after the wing nut is loosened using the wings. Second, slide the arm's hinge member onto the base hinge, as indicated by arrow. Third, place the washer and wing nut back on the base hinge stud, and tighten the arm to at the angle desired.



To rotate your Garmin 196* GPS toward the alternate pilot seat, use the supplied hex key to slightly loosen clamp post screw until post will rotate. Then retighten. Normally rotation back and forth between seats will not loosen threadlocked post screw, but if it does, reset with the hex key.

* or Garmin 295, 296, 396